

IHTS104L-AK

# IRON HORSE

COMPRESSORS

TWIN STACK



COMES WITH:  
25' AIR HOSE



20 PIECE  
ACCESSORY KIT



## Model #: IronHorse - IHTS104L-AK

This rugged "Twin Stack" compressor with cast iron cylinder comes with a 4 gallon air tank capacity that provides 5.1 CFM @ 90 PSI. This units is oil lubricated for professional use and longer life and is powered by a thermally protected 1 HP, 115 volt electric motor which is CSA/US approved. Regulator, gauge and quick coupler connections round off this unit and are very conveniently found and easy to access on the front mounted control panel.

TECHNICAL SPECIFICATIONS			
HP (Running):	1.0 HP	MOTOR RPM:	3450
CFM @ PSI:	5.1 CFM @ 90 PSI	MAX PRESSURE:	125 PSI
RECEIVER:	4 gallon twin	VOLTAGE:	115v
L-W-H (inches):	19-17-19	WEIGHT (Pounds):	77

MORE INFORMATION AT: - [www.eaglecompressor.com](http://www.eaglecompressor.com)



Manufacturer of these quality brands



Wood Industries, Inc., manufactures and distributes top of the line, high quality AIR COMPRESSORS, AIR COMPRESSOR PARTS AND AIR POWERED ACCESSORIES

to the North American industrial, contractor & home user markets.

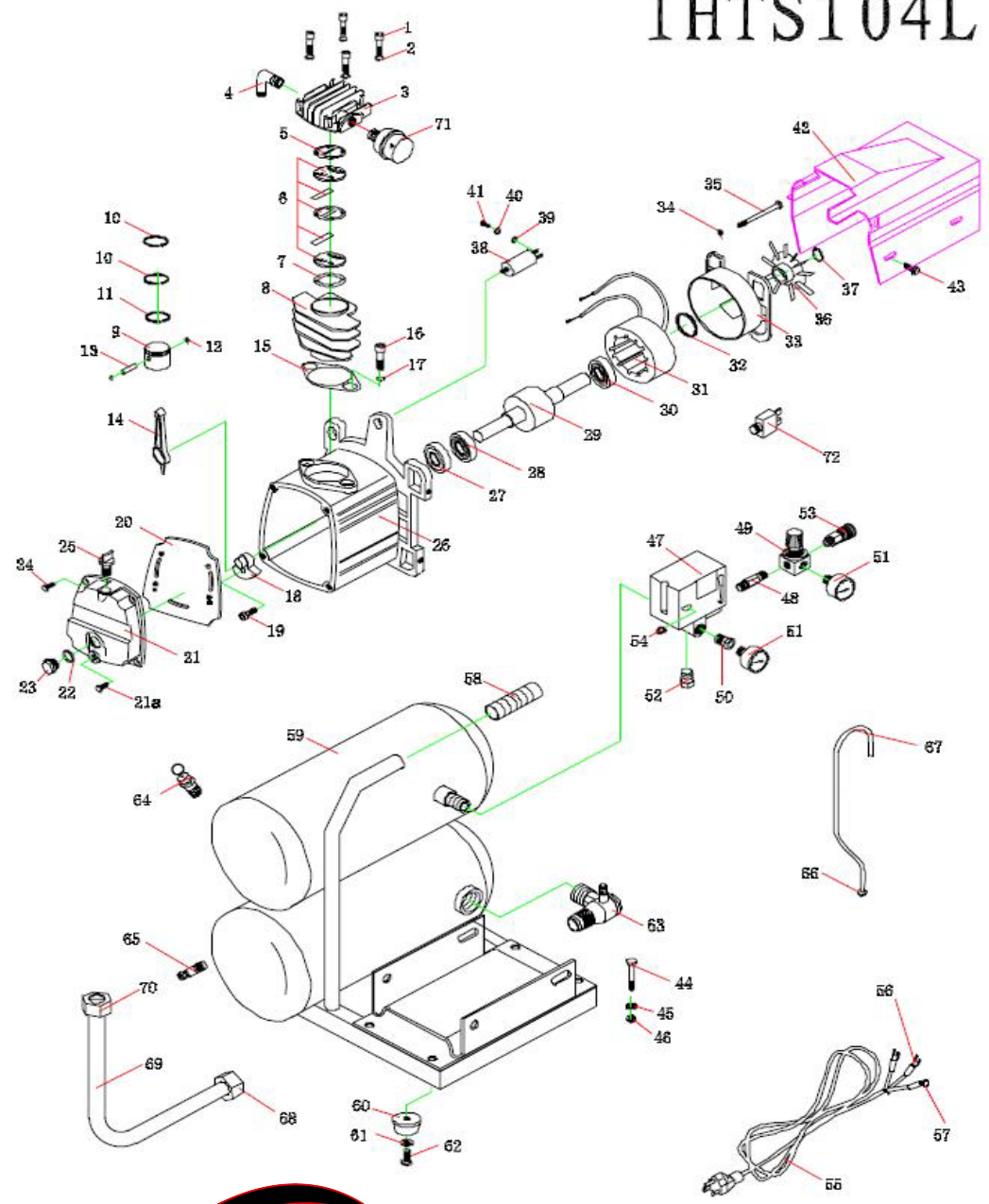
Wood Industries, Inc. PO Box 720 Belmont, MS 38827 Phone: (662) 454-0005 Fax: (662) 454-0010

[www.eaglecompressor.com](http://www.eaglecompressor.com)

**Air Compressor part breakdown sheet - IHTS104L**

Item	Description	Part	Item	Description	Part
1	Head Bolt M6x55	IH30551	38	Capacitor	IH2250
2	Spring washer 6	IH1211	39	Washer 3	IH1039
3	Cylinder head	IH1343	40	Spring washer 3	IH1040
4	Exhaust elbow	IH1086	41	Bolt M3*6	IH1041
5	Head gasket	IH1051	42	Shroud	IH2024
6	Valve assembly		43	Bolt M5*15	IH1727
7	Valve seat/cyl gasket	IH1053	44	Bolt M8*55	IH2211
8	Cylinder	IH2034B	45	Washer 8	IH2212
9	Piston	IH2038B	46	Nut 8	IH2213
10	Piston air ring	IH2039M	47	Pressure switch	21UCBDB-CH
11	Piston oil ring	IH2039N	48	Connector	IH0003
12	Piston pin clip	IH1420B	49	Regulator	R46-200-RNLA
13	Piston pin	IH1534B	50	Connector	IH0004
14	Connecting rod	IH1066B	51	Pressure gauge	IH1177
15	Cyl/Crankcase gasket	IH1225	52	Plug	IH1360
16	Bolt M8*25	IH2035	53	Quick connect	IH0001
17	Spring washer 8	IH1212	54	Strain relief	IH2206
18	Crankshaft	IH1068A	55	Power cord	IH1841
19	Bolt M8*22-LH	IH1802	56	Terminal (O)	
20	Crank case gasket	IH2019	57	Terminal (Y)	
21	Crank case cover	IH2021	58	Handle grip	IH1527
21a	Bolt M6*10	IH2207	59	Tank	IH2050
22	Seal	IH1591	60	Custion foot	IH2200
23	Oil sight glass	IH1519	61	Washer 6	IH2202
24	Bolt M6*18	IH0621	62	Bolt	IH2203
25	Breather	IH1071	63	Check valve	IH2026A
26	Crank case	IH2020	64	Safety valve	IH1090
27	Oil seal	IH0530	65	Drain valve	IH1850
28	Bearing	IH0140	66	Tube	IH1302
29	Rotator	IH1919	67	Unloader tube w/fitting	IH1302
30	Rear bearing	IH0150	68	Air filter assembly	IH1072
31	Stator	IH1918A	69	Discharge tube w/fitting	IH1170
32	Spring washer wave	IH2209	71	Air filter assembly	IH1072
33	Rear cap	IH1046	72	Overload Protector	IH2000
34	Spring washer 5	IH2210	6a	Valve Plate	ih1064
35	Bolt M5	IH1048	6b	Reed Valve	IH1052
36	Fan	IH1044	6c	Middle Valve Gst	IH1049
37	Circlips	IH1101			

IHTS104L



**IRON HORSE**

**Wood INDUSTRIES INCORPORATED**

IHTS104L

Call 1-800-551-2406 for the Customer Service Department.



# Portable Electric/Gas Compressor Operating Instructions

## NOTICE

Carefully read this instruction manual before attempting to operate this compressor.

MODEL # \_\_\_\_\_ SERIAL # \_\_\_\_\_

**IRON  
HORSE**



**Wood**  
**INDUSTRIES**  
**INCORPORATED**



**1-800-551-2406**

[www.eaglecompressor.com](http://www.eaglecompressor.com)

---

## TABLE OF CONTENTS

### Safety Precautions

Cautions .....	4
Extension Cords.....	4
Air Receiver .....	4
Safety Valve.....	5

### Installation and Operating Instructions

Installation.....	5
Break-In Procedure.....	5
Before Operating the Air Compressor.....	6
Compressor Lubrication.....	6
Filling Compressor with Oil.....	7
Engine Lubrication.....	7
Oil Changes.....	7
Maintenance.....	7
Checking Belt Tension.....	7

### Operating Your Air Compressor .....

Engine Gas Driven .....	8
Electric Drive with Dual Control.....	9
Electric Drive.....	9

### Compressor Maintenance Schedule.....

### Troubleshooting.....

### Warranty.....



**Carefully read this instruction manual before attempting to operate this compressor.**

---

## SAFETY PRECAUTIONS

Please familiarize yourself with the following information to prevent damage to your compressor unit and injury to the operator.



The air compressor motor and/or engine will get hot while in operation. Never touch the discharge tubing, engine, motor or compressor pump while in operation.

The compressor operates automatically while the power is connected and turned on, or the engine is running.



Compressed air from the unit may contain hazardous fumes. Air produced by this compressor is not suitable for breathing purposes. Always use a respirator when spraying paint or chemicals, or when sandblasting. Always wear safety glasses or goggles when using compressed air.

It is not practical or possible to warn you about all the hazards associated with operating or maintaining this equipment. You must use your own good judgment.

### EXTENSION CORDS

The use of extensions cords is not recommended. Plug directly into a dedicated circuit. If the use of an extension cord is unavoidable then make sure your extension cord is in good condition. When using an extension cord, be sure to use one heavy enough to carry the current your product will draw. An undersized cord will cause a drop in line voltage resulting in loss of power and overheating. Table 1 shows the correct size to use depending on cord length and nameplate amperage rating. If in doubt, use the next heavier gauge. The smaller the gauge number, the heavier the cord.

Ampere Rating		Volts	Total length of cord in feet			
		120 V	25 ft.	50 ft.	100 ft.	150 ft.
More Than	Not More Than	AWG				
0	6		18	16	16	14
6	10		18	16	14	12
10	12		16	16	14	12
12	16		14	14	Not Recommended	

### AIR RECEIVER

Over pressurizing the air receiver could cause personal injury or material damage. To protect from over pressurizing, a factory pre-set safety valve is

---

**⚠ WARNING**

**NEVER WELD, DRILL OR CHANGE THE AIR RECEIVER IN ANY WAY.**

Any replacement parts should be purchased with the same specifications as the original equipment. Please contact the authorized dealer for replacement parts or specifications.

**SAFETY VALVE**

This valve is factory installed to prevent over pressurizing of the air receiver. It is factory set at a specific limit for your particular model, and should never be tampered with.

**Adjustment by user will automatically void the warranty.**

**⚠ WARNING**

**DO NOT REMOVE, MAKE ADJUSTMENTS TO OR SUBSTITUTE THIS VALVE!**

## **INSTALLATION**

### **1. INSTALLATION**

Proper care, maintenance and lubrication ensures longevity. The compressor should always be level for proper lubrication. Do not over tighten foot bolts as excessive vibration may occur. Use only in a clean, dry, and well-ventilated area. The compressor has heat dissipation fins for proper cooling. Keep the fins and other parts that collect dust clean. Do not place rags or other materials on top of the compressor, as this obstructs cooling and can be a fire hazard.

### **2. BREAK-IN PROCEDURE**

There is no break-in requirements for this model

---

### **3. BEFORE OPERATING THE AIR COMPRESSOR, PLEASE CHECK THE FOLLOWING CAREFULLY:**

1. Check to see that nuts and bolts are all snug.
2. Check if the quantity and quality of oil is correct.
3. If the intake filters are dirty, they should be replaced or cleaned.

### **4. COMPRESSOR LUBRICATION**



**ALWAYS CHECK THE OIL LEVEL AND QUALITY BEFORE START-UP. DO NOT ADD OR CHANGE OIL WHILE THE UNIT IS RUNNING. USE ONLY RECOMMENDED NON-DETERGENT OIL.**

#### **Recommended Oil:**

- Eagle Compressor Oil      #EAOIL10 (1 litre)  
#EAOIL40 (4 litres)

Eagle compressor oil is a non-detergent mineral oil formulated with additives to help minimize carbon build-up, increase ring life and reduce oil consumption, for use at ambient temperatures of 0° to 30°C (32°F - 86°F).

#### **Other Approved Oils:**

Regular mineral oils can also be used in Eagle compressors. Always use a non-detergent oil with the following specifications:

<b>AMBIENT TEMPERATURES AT POINT OF OPERATION</b>	<b>SAE VISCOSITY</b>	<b>ISO VISCOSITY</b>
-16°C TO 0°C (3.2°F - 32°F)	SAE 10W	ISO 32
1°C TO 26°C (33.8°F - 78.8°F)	SAE 20W	ISO 68
ABOVE 27°C (80.6°F)	SAE 30W	ISO 100



---

## 5. FILLING COMPRESSOR WITH OIL

1. Remove the oil filler plug
2. Slowly pour the proper oil into the pump crankcase.
3. Always keep oil level in the middle of the sight glass.

## 6. ENGINE LUBRICATION (IF ENGINE DRIVEN)

Check engine Owner's manual for lubrication and maintenance requirements.

## 7. OIL CHANGES

### INITIAL OIL CHANGE DUE AT 100 HOURS

### CHANGE OIL EVERY 300 HOURS OR 3 MONTHS, WHICHEVER COMES FIRST.

1. Remove the oil drain plug. Allow oil to drain completely.
2. Replace the oil drain plug.
3. Refill with the recommended oil to the proper level.

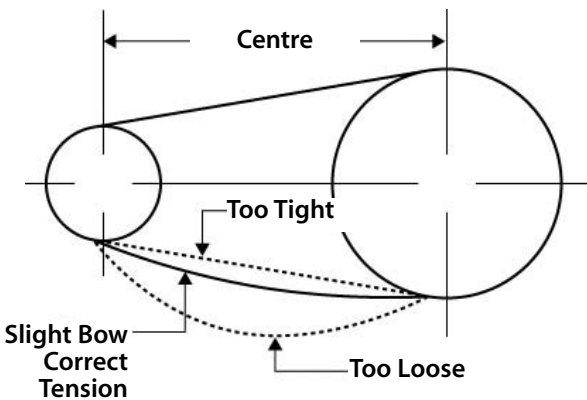
## 8. MAINTENANCE

Before doing any maintenance or adjustments to your air compressor, the following safety precautions should be taken:

- \* TURN OFF AND UNPLUG POWER CORD.
- \* DRAIN AIR RECEIVER AND AIR LINES OF AIR PRESSURE.

## 9. CHECKING BELT TENSION (If Belt Driven)

Adjust belt(s) so when pressure is applied at the center, there is approximately 1/2" slack (see diagram below).



If the belt is installed too tight, the motor might be overloaded. This will cause the motor to overheat. If the belt is installed too loosely, it will slip and excessive wear and vibration will occur.

---

## HOW TO INSTALL NEW BELT IF REQUIRED (If belt driven)

1. Disconnect power supply.
2. Remove belt guard.
3. Loosen motor bolts and slide motor toward compressor head just enough to allow old belt to be removed.
4. Install proper replacement belt.
5. Slide motor away from compressor head to provide recommended tension as shown in diagram on page 5.
6. Align belt using a straight edge ruler against pulley's edge.
7. Fasten motor bolts.
8. Ensure motor and compressor pulley's are secure. Re-check alignment.
9. Re-install belt guard and reconnect power supply.
10. Belt tension should be checked after 20 hours of operation. Check tension monthly thereafter.

## OPERATING YOUR AIR COMPRESSOR

### A) GAS ENGINE DRIVEN (continuous run only)

- 1) Check entire unit for any damage.
- 2) Check compressor and engine oil level, fill or add if necessary.
- 3) Make sure gas tank is filled.
- 4) Read entire engine manual.
- 5) Starting the engine.
  - a) Move fuel lever to the "On" position.
    - If engine is cold, move choke lever to the "Closed" position
    - If engine is warm, leave choke lever in "Open" position
  - b) Turn engine switch to "On" position.
  - c) Pull starter grip lightly until you feel resistance, then pull briskly, return starter grip gently - engine should start, if not repeat.
  - d) Once the engine starts running, slowly move the choke lever to the "Open" position.
  - e) With the engine running properly, the compressor fills the air receiver with compressed air, when maximum pressure (set by the pilot valve control) is reached, the engine and compressor will slow down to idle speed, and will return to full RPM when the cut-in pressure is reached. The unit will continue to cycle automatically until turned off.
- 6) Stopping the engine.
  - a) Turn engine switch to the "Off" position.
  - b) Turn the fuel lever to the "Off" position.



**ENGINE IDLE SPEED MAY NEED TO BE ADJUSTED, EVEN ON YOUR BRAND NEW UNIT TO COMPENSATE FOR DIFFERENCES IN ALTITUDE. PLEASE CONSULT THE ENGINE OPERATING MANUAL.**

---

## **B) ELECTRIC DRIVE WITH DUAL CONTROL**

- 1) Check unit for any damage.
- 2) Check compressor oil level, fill or add if necessary.
- 3) Pressure switch "Off/Auto" knob should be in "Off" position.
- 4) Plug in power cord to proper electrical outlet.
- 5) a) Stop/Start (pressure switch) control
  1. Shut-off valve on pilot unloader should be closed ("knurled" knob on top of the pilot unloader should be turned all the way down).
  2. Turn pressure switch "Off/Auto" switch to "Auto". Electric motor should now start and fill air receiver(s) with compressed air till cut-out pressure is reached. Compressor should stop and remain stopped till air receiver pressure reaches the cut-in pressure. The unit will continue to cycle in this automatic operation until it is turned off.
- b) Continuous run (Pilot unloader) control
  1. Open the shut-off valve on pilot unloader ("knurled" knob on top of the pilot unloader should be turned all the way up).
  2. Turn pressure switch "Off/Auto" switch to "Auto", electric motor should now start and fill air receiver(s) with compressed air till full pressure is reached. To engage continuous run, turn "knurled" knob down. Your compressor will idle down and continue to idle once maximum pressure is achieved. When cut-in pressure is reached, the unloader valves will de-activate and unit will compress air. The unit will continue in this automatic operation until the unit is stopped ("Off/Auto" switch turn to the "Off" position and/or electric power supply is disconnected).
  3. With the engine running properly, the compressor fills the air receiver with compressed air, when maximum pressure (set by the pilot valve control) is reached, the engine and compressor will slow down to idle speed, and will return to full RPM when the cut-in pressure is reached. The unit will continue to cycle automatically until turned off.
  4. Stopping the engine.
    - a) Turn engine switch to the "Off" position.
    - b) Turn the fuel lever to the "Off" position.
- 6) You can switch at anytime from Stop/Start to Continuous Run and vice versa by opening or closing the valve on the pilot unloader.

## **C) ELECTRIC DRIVE**

- 1) Check unit for any damage.
- 2) Check compressor oil level, fill or add if necessary.
- 3) Pressure switch "Off/Auto" switch should be in "Off" position.
- 4) Plug in power cord to proper electrical outlet. If compressor is not equipped with a male plug, hire an electrician to install one.

---

5) Stop/Start (pressure switch) control

Turn pressure switch "Off/Auto" switch to "Auto". Electric motor should now start and fill air receiver(s) with compressed air until cut-out pressure is reached. Compressor should stop and remain stopped until air receiver pressure reaches the cut-in pressure. The unit will continue to cycle in this automatic operation until the pressure switch is turned to the "Off" position.



**EXTRA CARE SHOULD BE TAKEN TO AVOID  
PERSONAL INJURIES WITH AUTOMATICALLY  
CONTROLLED COMPRESSORS**

**COMPRESSOR MAINTENANCE SCHEDULE**

**DAILY OR BEFORE EACH USE**

- Check oil level
- Drain condensation from air receiver
- Check for any unusual noise or vibration
- Be sure all nuts and bolts are tight

**WEEKLY**

- Turn off power. Clean dust and foreign matter from cylinder head, motor, fan blades, intercooler and air receiver.
- Clean air filter by opening air filter, removing filter element and cleaning it thoroughly with soapy water. Rinse thoroughly and allow to dry completely before assembly.
- Worn filters should be replaced.
- Check V-belts for wear.

**MONTHLY**

- Inspect unit for leaks.
- Tighten joints if leaks are observed.
- Check V-belts for proper tension.
- Check compressor pulley and motor sheave are aligned and securely fastened (see item 9).

**QUARTERLY OR 300 HOURS (Whichever comes first)**

- Inspect the air receiver for corrosion or other damage
- Change compressor oil.
- Replace air filter (more often if compressor is used near paint spraying operations or in dusty environments).

## TROUBLE SHOOTING

PROBLEM	POSSIBLE CAUSE	CORRECTIVE ACTION
<b>Will Not Start</b>	<ul style="list-style-type: none"> <li>• Check power supply</li> <li>• Please refer to Manufacturers manual included</li> </ul>	<ul style="list-style-type: none"> <li>• Make sure power is turned on</li> <li>• Please refer to Honda manual included</li> </ul>
<b>Low Pressure</b>	<ul style="list-style-type: none"> <li>• Safety valve leaks</li> <li>• Drain cock open</li> <li>• Loose tubes or fittings</li> <li>• Dirty or plugged air filter</li> <li>• Defective unloader valve</li> </ul>	<ul style="list-style-type: none"> <li>• Replace safety valve</li> <li>• Close drain cock</li> <li>• Tighten fittings</li> <li>• Clean or replace as necessary</li> <li>• Replace unloader valve</li> </ul>
<b>Oil In Discharge</b>	<ul style="list-style-type: none"> <li>• Improper oil viscosity</li> <li>• Too much oil in the crankcase</li> <li>• Compressor overheated</li> <li>• Restricted air filter</li> <li>• Worn piston rings</li> </ul>	<ul style="list-style-type: none"> <li>• Drain and replace oil</li> <li>• Drain oil and fill to proper level</li> <li>• Air pressure regulated too high</li> <li>• Clean or replace air filter</li> <li>• Replace piston rings</li> </ul>
<b>Compressor Overheats</b>	<ul style="list-style-type: none"> <li>• Clogged inlet filter</li> <li>• Dirty compressor, head, cylinder, intercooler</li> <li>• Operating pressure too high</li> <li>• Low oil or wrong oil being used</li> <li>• Compressor cycle too long, proper cycle is 50 - 60% on Stop/Start operation and 75 - 80% on continuous run operation</li> </ul>	<ul style="list-style-type: none"> <li>• Clean or replace as necessary</li> <li>• Clean with compressed air</li> <li>• Reduce operating pressure</li> <li>• Drain and replace oil</li> <li>• Allow for longer rest between cycles</li> </ul>
<b>Compressor Loads and Unloads or Stops and Starts Excessively</b>	<ul style="list-style-type: none"> <li>• Leaks in air system</li> <li>• Worn or loose drive belts</li> <li>• Pilot valve or pressure switch differential adjusted too close</li> <li>• Defective compressor valves</li> <li>• Compressor too small for intended use</li> </ul>	<ul style="list-style-type: none"> <li>• Replace worn components as necessary</li> <li>• Tighten V-belts or replace</li> <li>• Make necessary adjustments</li> <li>• Replace valves</li> </ul>

## TROUBLE SHOOTING

PROBLEM	POSSIBLE CAUSE	CORRECTIVE ACTION
<b>Insufficient Output Low Discharge Pressure</b>	<ul style="list-style-type: none"> <li>• Clogged inlet filter</li> <li>• Leaks in air lines, air valves, fittings etc,..</li> <li>• Drive belts slipping</li> <li>• Drain valve left open</li> <li>• Defective pressure gauge</li> <li>• Compressor incorrectly sized</li> <li>• Leaking head gasket</li> <li>• Dirty or plugged inter cooler tubes</li> <li>• Unloader pilot or pressure switch adjusted too low, or defective</li> <li>• Worn or defective compressor valves</li> <li>• Worn piston, worn out rings</li> <li>• Restrictive check valve</li> </ul>	<ul style="list-style-type: none"> <li>• Clean or replace as necessary</li> <li>• Replace worn components as necessary</li> <li>• Tension V-Belts</li> <li>• Close drain valve</li> <li>• Replace pressure gauge</li> <li>• Replace head gasket</li> <li>• Remove and clean inter cooler tubes</li> <li>• Make necessary adjustments</li> <li>• Replace worn parts</li> <li>• Replace worn parts</li> <li>• Clean check valve and replace if necessary</li> </ul>
<b>Motor Stalls</b>	<ul style="list-style-type: none"> <li>• Faulty unloader/check valve</li> <li>• Valves incorrectly installed</li> <li>• Drive belts too tight</li> </ul>	<ul style="list-style-type: none"> <li>• Replace unloader or check valve</li> <li>• Install valves correctly</li> <li>• Tension V-belts</li> </ul>
<b>Water In Crankcase Oil Breaking Up Oil Gets Dirty, Rusty Valves or Cylinder</b>	<ul style="list-style-type: none"> <li>• Cycle too short; compressor does not operate long enough to vaporize condensed moisture during compression</li> <li>• Compressor operating outside in cold conditions or inlet filter not protected against weather</li> <li>• System pressure leaking back through check valve when compressor is stopped</li> <li>• Wrong oil being used</li> </ul>	<ul style="list-style-type: none"> <li>• Allow for a longer operating cycle</li> <li>• Provide adequate protection against extreme weather conditions</li> <li>• Check and replace/check valve if necessary</li> <li>• Drain and replace with proper oil</li> </ul>

## TROUBLE SHOOTING

PROBLEM	POSSIBLE CAUSE	CORRECTIVE ACTION
<b>Excessive Vibration</b>	<ul style="list-style-type: none"> <li>• Loose compressor, motor, engine or guard</li> <li>• Excessive discharge pressure</li> <li>• Compressor not level</li> <li>• Leg bolts tightened too tightly to floor</li> <li>• Wrong oil being used</li> <li>• Loose flywheel, drive pulley or drive belts</li> <li>• Worn rods, wrist pin or main bearings</li> </ul>	<ul style="list-style-type: none"> <li>• Tighten components</li> <li>• Reduce operating pressure</li> <li>• Level compressor</li> <li>• Loosen leg bolts</li> <li>• Drain and replace with proper oil</li> <li>• Tighten loose components and check belts</li> <li>• Check and replace worn parts</li> </ul>
<b>Compressor Knocks</b>	<ul style="list-style-type: none"> <li>• Compressor valves loose or broken</li> <li>• Inspect check valve, it may knock at low pressures</li> </ul>	<ul style="list-style-type: none"> <li>• Check and replace worn or broken valves</li> <li>• Remove and clean check valve</li> </ul>
<b>Compressor uses too much oil</b>	<ul style="list-style-type: none"> <li>• Clogged inlet filter</li> <li>• Wrong oil being used, wrong viscosity</li> <li>• Oil level too high</li> <li>• Crankcase breather valve malfunction</li> <li>• Compressor runs unloaded too long</li> <li>• Compressor operating outside in cold conditions or inlet filter not protected against weather</li> <li>• Worn piston rings</li> <li>• Piston rings not seated</li> </ul>	<ul style="list-style-type: none"> <li>• Clean inlet filter or replace if necessary</li> <li>• Drain and replace oil</li> <li>• Fill compressor with oil to proper level</li> <li>• Replace crankcase breather</li> <li>• Increase load or stop compressor when not needed (check for air/leaks)</li> <li>• Provide adequate protection against extreme weather conditions</li> <li>• Replace piston rings</li> <li>• See instruction below</li> </ul>
<b>Piston rings not seated</b>	<ul style="list-style-type: none"> <li>• Allow 100 hours of normal operation for new rings to seat</li> <li>• Drain oil and refill with Paslode EAOIL oil or other approved oils</li> </ul>	<ul style="list-style-type: none"> <li>• Allow 100 hours of normal operation for new rings to seat</li> <li>• Drain oil and refill with Paslode EAOIL oil or other approved oils</li> </ul>

---

## WOOD INDUSTRIES STANDARD WARRANTY

Seller warrants products of its own manufacture against defects in workmanship and materials under normal use and service as follows:

COMPRESSORS: Twelve (12) months from date of start-up or

PARTS: Ninety (90) days from date of sale

**WII** warrants repaired or replaced parts of its own manufacture against defects in materials and workmanship under normal use and service for ninety (90) days or the remainder of the warranty on the product being repaired, whichever is longer.

With respect to products not manufactured by **WII**, **WII** will, if practical, pass along the warranty of the original manufacturer.

Notice of the alleged defect must be given to Seller in writing with all identifying details including serial number, model number, type of equipment and date of purchase, within thirty (30) days of the discovery of same during the warranty period.

**Eagle's** sole obligation on this warranty shall be, at its option, to repair, replace or refund the purchase price of any product or part thereof, which proves to be defective, F.O.B. **Eagle** shop.

If requested by **WII**, such product or part thereof must be promptly returned to **WII**, freight prepaid for inspection.

This warranty shall not apply and **WII** shall not be responsible nor liable for:

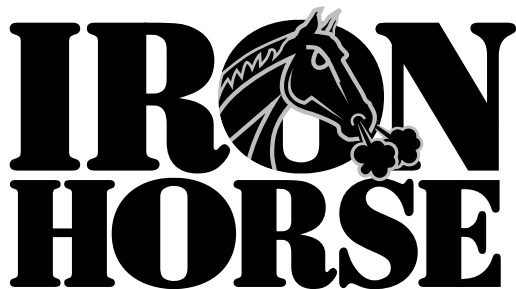
- a) Consequential, collateral or special losses or damages;
- b) Equipment conditions caused by normal wear and tear, abnormal conditions of use, accident, neglect or misuse of equipment, improper storage or damages resulting during shipment;
- c) Deviation from operating instructions, specification or other special terms of sale;
- d) Labor charges, loss or damage resulting from improper operation, maintenance or repairs made by person(s) other than **WII** or **WII** authorized service representative;
- e) Improper application of product.

In no event shall **WII** be liable for any claims, whether arising from breach of contract or warranty of claims of negligence or negligent manufacture, in excess of purchase price.

**THIS WARRANTY IS THE SOLE WARRANTY OF WII AND ANY OTHER WARRANTIES, EXPRESSED, IMPLIED IN LAW OR IMPLIED IN FACT, INCLUDING ANY WARRANTIES OF MERCHANTABILITY AND FITNESS FOR PARTICULAR USE, ARE HEREBY SPECIFICALLY EXCLUDED.**







**Compresseur  
portatif  
électrique/à  
essence**

**Manuel d'utilisation**

**AVIS**

**Veillez lire le présent manuel d'utilisation avant  
d'essayer d'utiliser ce compresseur.**

MODEL # \_\_\_\_\_ SERIAL # \_\_\_\_\_