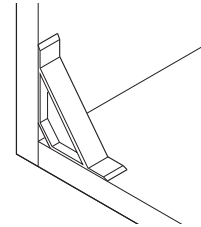
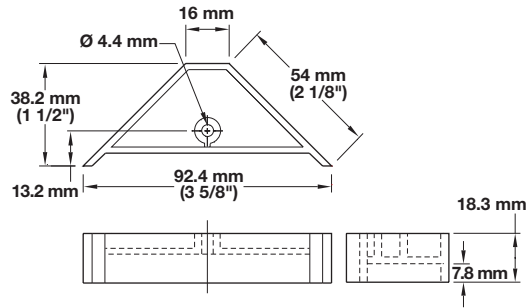


Corner Braces



Application:

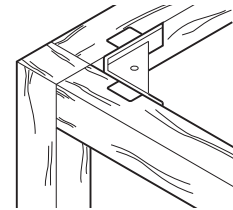
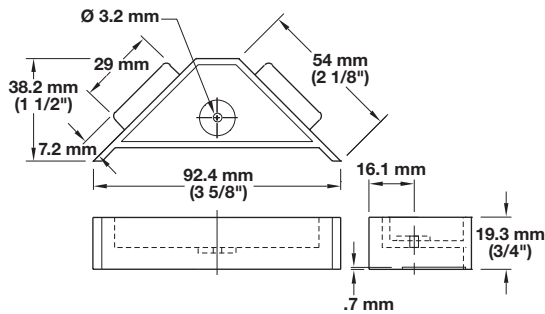
- Corner brace to be stapled on, with one hole
- These inexpensive plastic brackets allow you to make fast and efficient 90° corners
- The brackets are stapled on, a screw hole can be used to fix a countertop in place

Without Reference Tabs

Material: plastic, polyethylene

Color	Item No.
white translucent	260.44.400

Packing: 1400 pcs.



Application:

- Corner brace to be stapled on and glued, with one hole, reference tabs on 2 sides
- For any 90° corner, but mostly used on kitchen base cabinets

With Horizontal Reference Tabs

Material: plastic, polyethylene

Color	Item No.
white	260.44.700

Packing: 1000 pcs.

Dimensional data not binding. We reserve the right to alter specifications without notice.

Dimensions in mm
Inches are approximate