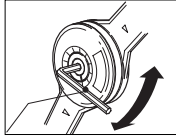


### Swing-up Fittings

#### Duo

- Two applications; lid or flap stay
- Can be mounted left or right
- Adjustable braking effect
- Lid/Flap stay clip mounts to brackets without tools
- Use of a magnet is recommended when used as a flap stay application, refer to page 143
- For aluminum doors refer to page 352



**Function:**  
Set the function to stopping or braking by adjusting the screw with a 4 mm Hex Key. (sold separately - see next page)



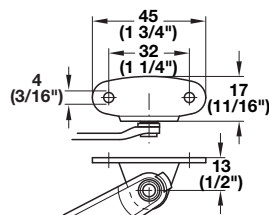
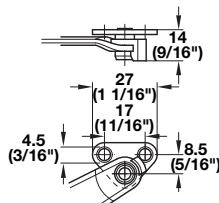
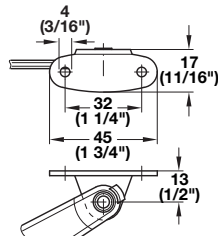
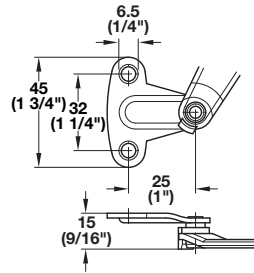
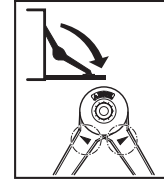
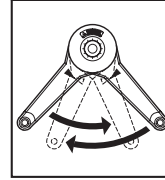
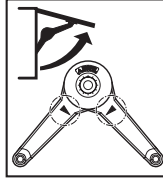
Wood Door Lid Stay



Aluminum Door Lid Stay



Flap Stay Doors



#### Duo Lid/Flap Stay Arm

Material: zinc alloy

Version	Finish/Color	Item No.
A (6 kg/13 lbs.)	nickel-plated	373.66.660
B (8 kg/18 lbs.)	nickel-plated	373.66.661
A (6 kg/13 lbs.)	silver	373.66.960
B (8 kg/18 lbs.)	silver	373.66.961
A (6 kg/13 lbs.)	black	373.66.360
B (8 kg/18 lbs.)	black	373.66.361

\*Packing: 20 pcs.

Please order mounting brackets separately (below)

#### Cabinet Mounting Bracket

- For attachment to side panel of cabinet

Material: steel

Mounting distance from front edge	Finish/Color	Item No.
28 mm (1 1/8")	nickel-plated	373.66.693
37 mm (1 7/16")	nickel-plated	373.66.694
28 mm (1 1/8")	silver	373.66.993
37 mm (1 7/16")	silver	373.66.994
28 mm (1 1/8")	black	373.66.393
37 mm (1 7/16")	black	373.66.394

\*Packing: 20 pcs.

#### Door Mounting Bracket

- For wood or aluminum frames over 35 mm (1 3/8") profile wide

Material: steel

Finish/Color	Item No.
nickel-plated	373.66.681
silver	373.66.981
black	373.66.381

\*Packing: 20 pcs.

#### Door Mounting Bracket

- For aluminum frames up to 35 mm (1 3/8") profile wide

Material: steel

Finish/Color	Item No.
nickel-plated	373.66.682
silver	373.66.982
black	373.66.382

\*Packing: 20 pcs.

#### Special Door Mounting Bracket

- For use with a face frame overlay 5-piece door

Material: steel

Finish	Item No.
nickel-plated	373.66.685

\*Packing: 20 pcs.

\*Minimum order quantity is 1 piece.

Dimensions in mm  
Inches are approximate

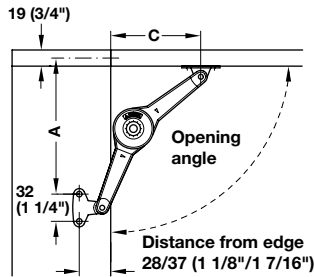
Dimensional data not binding. We reserve the right to alter specifications without notice.

## Swing-up Fittings

### Duo

- Two stays are recommended for any door 600 mm (24") or wider
- Units may need to be re-adjusted after the first 300 cycles to maintain optimum performance; This is a one time adjustment that does not have to be repeated

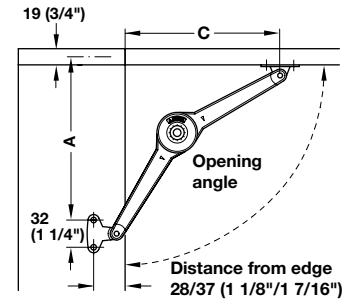
Installation Version A



Lid Stay

Opening Angle	Dimension A	Dimension C
75°	192 (7 9/16")	148 (5 13/16")
90°	192 (7 9/16")	106 (4 3/16")
110°	160 (6 5/16")	108 (4 1/4")

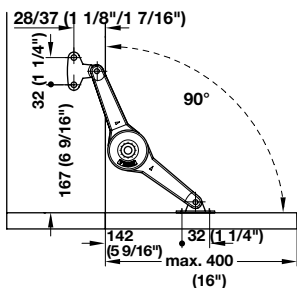
Installation Version B



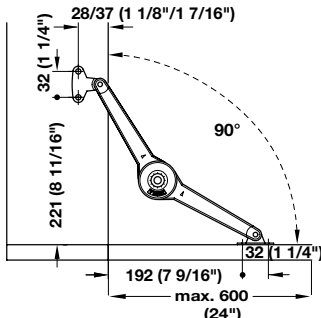
Lid Stay

Opening Angle	Dimension A	Dimension C
75°	256 (10 1/16")	212 (8 3/8")
90°	224 (8 13/16")	182 (7 3/16")
110°	199 (7 13/16")	154 (6 1/16")

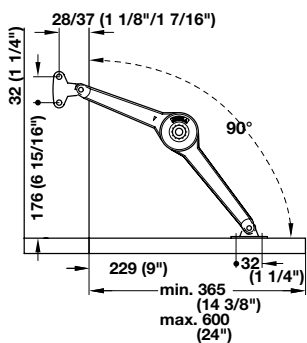
Version A



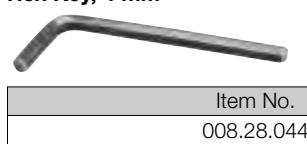
Version B



Version B



Hex Key, 4 mm



Item No.  
008.28.044

\*Packing: 2000 pcs.

Version A

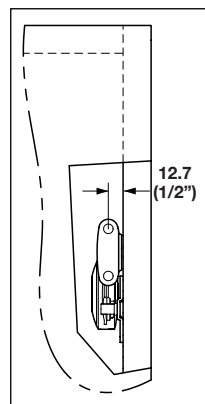
Sample measurements table for max. flap weight

Flap height inches	max. flap weight lbs.			
	Stopping function		Braking function	
	1 Stay	2 Stays	1 Stay	2 Stays
<b>For opening angle 75°</b>				
8"	19.8 lbs.	39.6 lbs.	25.3 lbs.	39.6 lbs.
10"	15.4 lbs.	39.6 lbs.	19.8 lbs.	39.6 lbs.
12"	13.2 lbs.	26.4 lbs.	16.5 lbs.	39.6 lbs.
14"	11 lbs.	22 lbs.	14.3 lbs.	28.6 lbs.
16"	9.9 lbs.	19.8 lbs.	13.2 lbs.	25.3 lbs.
17 1/2"	8.8 lbs.	17.6 lbs.	11 lbs.	22 lbs.
19 1/2"	7.7 lbs.	15.4 lbs.	9.9 lbs.	19.8 lbs.
<b>For opening angle 90°</b>				
8"	16.5 lbs.	39.6 lbs.	20.9 lbs.	39.6 lbs.
10"	13.2 lbs.	26.4 lbs.	16.5 lbs.	39.6 lbs.
12"	11 lbs.	22 lbs.	13.2 lbs.	28.6 lbs.
14"	8.8 lbs.	18.7 lbs.	12.1 lbs.	24.2 lbs.
16"	7.7 lbs.	15.4 lbs.	11 lbs.	22 lbs.
17 1/2"	7.7 lbs.	14.3 lbs.	8.8 lbs.	18.7 lbs.
19 1/2"	6.6 lbs.	13.2 lbs.	8.8 lbs.	17.6 lbs.
<b>For opening angle 110°</b>				
8"	13.2 lbs.	26.4 lbs.	17.6 lbs.	39.6 lbs.
10"	11 lbs.	20.9 lbs.	13.2 lbs.	26.4 lbs.
12"	8.8 lbs.	17.6 lbs.	11 lbs.	22 lbs.
14"	6.6 lbs.	15.4 lbs.	8.8 lbs.	19.8 lbs.
16"	6.6 lbs.	13.2 lbs.	8.8 lbs.	16.5 lbs.
17 1/2"	5.5 lbs.	11 lbs.	7.7 lbs.	15.4 lbs.
19 1/2"	4.4 lbs.	11 lbs.	6.6 lbs.	13.2 lbs.

Version B

Sample measurements table for max. flap weight

Flap height inches	max. flap weight lbs.			
	Stopping function		Braking function	
	1 Stay	2 Stays	1 Stay	2 Stays
<b>For opening angle 75°</b>				
8"	30.8 lbs.	39.6 lbs.	39.6 lbs.	39.6 lbs.
10"	25.3 lbs.	39.6 lbs.	39.6 lbs.	39.6 lbs.
12"	19.8 lbs.	39.6 lbs.	26.4 lbs.	39.6 lbs.
14"	17.6 lbs.	39.6 lbs.	24.2 lbs.	39.6 lbs.
16"	15.4 lbs.	30.8 lbs.	19.8 lbs.	39.6 lbs.
17 1/2"	13.2 lbs.	27.5 lbs.	17.6 lbs.	39.6 lbs.
19 1/2"	12.1 lbs.	24.2 lbs.	15.4 lbs.	39.6 lbs.
21 1/2"	11 lbs.	22 lbs.	14.3 lbs.	28.6 lbs.
23 1/2"	11 lbs.	20.9 lbs.	13.2 lbs.	26.4 lbs.
25 1/2"	8.8 lbs.	18.7 lbs.	12.1 lbs.	24.2 lbs.
27 1/2"	8.8 lbs.	17.6 lbs.	11 lbs.	23.1 lbs.
<b>For opening angle 90°</b>				
8"	26.4 lbs.	39.6 lbs.	39.6 lbs.	39.6 lbs.
10"	20.9 lbs.	39.6 lbs.	26.4 lbs.	39.6 lbs.
12"	17.6 lbs.	39.6 lbs.	22 lbs.	39.6 lbs.
14"	15.4 lbs.	29.7 lbs.	19.8 lbs.	39.6 lbs.
16"	13.2 lbs.	26.4 lbs.	17.6 lbs.	39.6 lbs.
17 1/2"	11 lbs.	24.2 lbs.	15.4 lbs.	30.8 lbs.
19 1/2"	11 lbs.	20.9 lbs.	13.2 lbs.	26.4 lbs.
21 1/2"	8.8 lbs.	18.7 lbs.	12.1 lbs.	24.2 lbs.
23 1/2"	8.8 lbs.	17.6 lbs.	11 lbs.	22 lbs.
25 1/2"	7.7 lbs.	15.4 lbs.	11 lbs.	20.9 lbs.
27 1/2"	6.6 lbs.	15.4 lbs.	8.8 lbs.	19.8 lbs.
<b>For opening angle 110°</b>				
8"	20.9 lbs.	39.6 lbs.	27.5 lbs.	39.6 lbs.
10"	16.5 lbs.	39.6 lbs.	22 lbs.	39.6 lbs.
12"	14.3 lbs.	27.5 lbs.	17.6 lbs.	39.6 lbs.
14"	12.1 lbs.	24.2 lbs.	15.4 lbs.	30.8 lbs.
16"	9.9 lbs.	20.9 lbs.	13.2 lbs.	27.5 lbs.
17 1/2"	8.8 lbs.	18.7 lbs.	12.1 lbs.	24.2 lbs.
19 1/2"	8.8 lbs.	16.5 lbs.	11 lbs.	22 lbs.
21 1/2"	7.7 lbs.	15.4 lbs.	8.8 lbs.	19.8 lbs.
23 1/2"	6.6 lbs.	13.2 lbs.	8.8 lbs.	17.6 lbs.
25 1/2"	6.6 lbs.	12.1 lbs.	8.8 lbs.	16.5 lbs.
27 1/2"	6.6 lbs.	11 lbs.	7.7 lbs.	15.4 lbs.



Door mounting bracket

Dimensions in mm  
Inches are approximate

\*Minimum order quantity is 1 piece.