

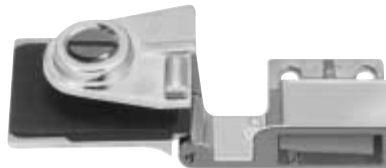
Glass Door Hinges

Glass door corner hinge, screw-mounted

- Opening angle **170°**
- Maximum door size: height 600 mm, width 450 mm
- With catch
- Straight arm
- For **inset** doors
- Maximum glass thickness **5 mm**
- Complete with intermediate layer



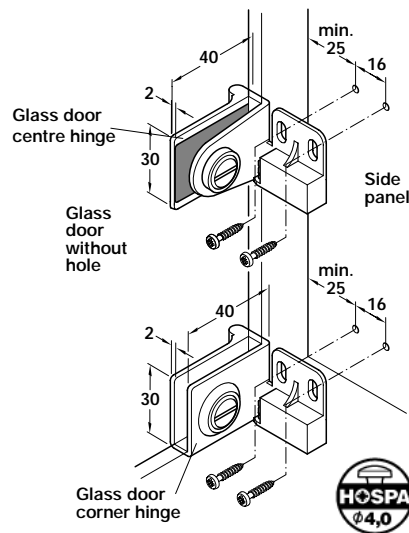
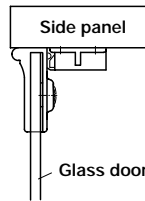
from 600 mm door height the screw-mounted **glass door centre hinge** is required.



Finish: zinc alloy

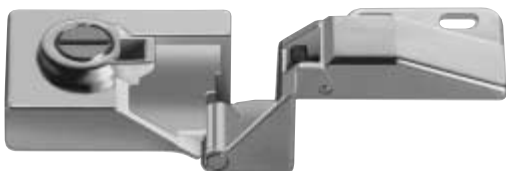
	glass door corner hinge	glass door centre hinge
chrome-plat. pol.	361.93.240	361.93.242
nickel-plat. pol.	361.93.640	361.93.642
brass-plat. pol.	361.93.840	361.93.842
black, matt	361.93.340	361.93.342

Packing: 1 and 50 pairs



Glass door corner hinge, screw-mounted

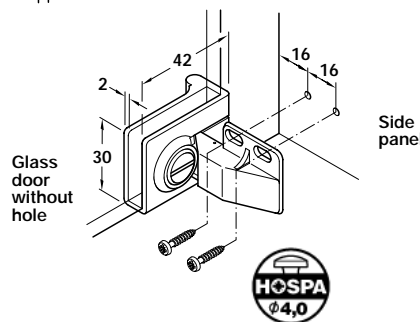
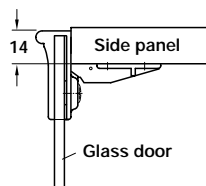
- Opening angle **170°**
- Maximum door size: height 600 mm, width 450 mm
- With catch
- Cranked arm
- For **overlay** doors
- Maximum glass thickness **5 mm**
- Complete with intermediate layer



Finish: zinc alloy

Cat. No.	chrome-plated, polished	361.93.241
	nickel-plated, polished	361.93.641
	brass-plated, polished	361.93.841
	black, matt	361.93.341

Packing: 1 and 50 pairs



Glass door pull, screw-mounted

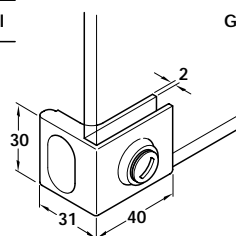
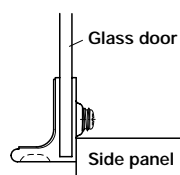
- Maximum glass thickness **5 mm**



Finish: zinc alloy

Cat. No.	chrome-plated, polished	154.25.210
	nickel-plated, polished	154.25.610
	brass-plated, polished	154.25.810
	black, matt	154.25.310

Packing: 1 and 20 pcs.



Without glass hole

Dimensions in mm

Wardrobe Fittings

Wardrobe door

Hinges



Fastening screws:

Hospa chipboard screws

pan head with cross slot PZ 2

Finish:

steel, galvanized



Length	Cat. No.
15 mm	015.71.820
17 mm	015.71.839
20 mm	015.71.848

Packing: 1000 pcs.



Dimensional data not binding. We reserve the right to alter specifications without notice.